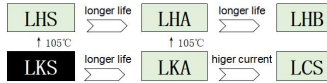


Snap-in capacitor



LKS Series 85°C 2000 Hours



- Rohs requirements.
- 85°C 2000 hours series.
- Used for switching power supply, servo, inverter, air conditioners, filter circuits, laser welding machines, consumer electronics, and printed circuit boards and other general industrial products.

Product description

Item	Characteristic				
Operating temperature range	-40°C ~ +85°C	-25°C ~ +85°C			
Rated voltage(WV/V)	100V ~ 450V	460V ~ 600V			
Capacitance(CAP/C)	82 ~ 15000				
Tolerance(CAP/C)	±20% (25°C, 120Hz)				
Leakage current LC/I(25°C, 120Hz)	LC ≤ 0.01CV(UA) Or 5MA, whichever is smaller (25°C, 5Min) C=Nominal capacitance(μF), V=Working voltage(V)				
Dissipation factor DF/tanδ(25°C, 120Hz)	UR(V)	100 160~450 460~600			
	DF	0.2 0.15 0.15			
Temperature characteristics (Impedance ratio at 120Hz)	UR(V)	100 160~200 250~400 460~600			
	Z(-25°C/Z(+25°C))	4			
	Z(-40°C/Z(+25°C))	15	10	8	-
Temperature characteristics (Capacitance ratio at 120Hz)	C(-40°C/C(+25°C)) ≥ 0.6				
	C(-25°C/C(+25°C)) ≥ 0.7				

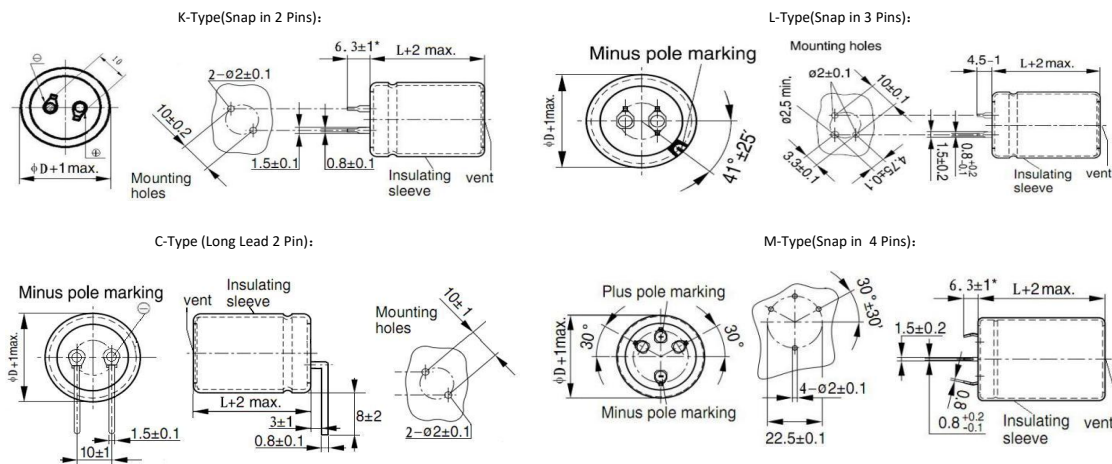
	Working lifetime		Standard lifetime	Durability	High temperature storage
Load time	4000H	>65000H	2000H	3000H	1000H
Leakage current	Within rated specification value		Within rated specification value	Within rated specification value	Within rated specification value
Capacitance change	Within ±30% of initial value		Within ±20% of initial value	Within ±20% of initial value	Within ±20% of initial value
Dissipation factor	Within 300% of rated specification value		Within 200% of rated specification value	Within 200% of rated specification value	Within 200% of rated specification value
Environmental condition: Applied voltage	UR	UR	UR	UR	UR=0
Applied current	IR	1.2×IR	IR	IR=0	IR=0
Application temperature	85°C	40°C	85°C	85°C	85°C

Ripple current correction factor

UR(V)	Temp. °C				Freq.	50/60Hz	120Hz	1KHz	10KHz	≥50KHz
	40	55	70	85						
<160	2.1	1.8	1.5	1.0	≤50	0.88	1.00	1.15	1.15	1.15
≥160	1.7	1.5	1.3	1.0	63-100	0.80	1.00	1.30	1.45	1.50
					≥160	0.80	1.00	1.30	1.40	1.42

Aluminum electrolytic capacitors age due to self-heating and temperature rise when the ripple current is superimposed, and the use temperature rise will reduce the product life, to keep the product life, please reduce the ripple current during use.

Outline drawing Unit: Mm



■LKS series:85°C 2000 hours,standard snap-in capacitor.

VV	CAP 25°C, 120Hz	DF 25°C, 120Hz	Max ESR 25°C, 120Hz	ESR (typ.) 25°C, 120Hz	Rated Ripple Current 85°C, 120Hz	Size ΦD×L	Code P/N
(VDC)	(μF)	-	(mΩ)	(mΩ)	(Arms)	(mm)	-
100 2A (125)	680	0.2	300	230	1.10	22 x 25	LKS2A681MP025***
	820	0.2	250	190	1.21	22 x 30	LKS2A821MP030***
	1000	0.2	210	160	1.53	22 x 35	LKS2A102MP035***
		0.2	210	160	1.45	25 x 25	LKS2A102MQ025***
	1200	0.2	180	130	1.63	22 x 35	LKS2A122MP035***
		0.2	180	130	1.61	25 x 30	LKS2A122MQ030***
	1500	0.2	140	105	1.81	22 x 40	LKS2A152MP040***
		0.2	140	105	1.72	25 x 35	LKS2A152MQ035***
		0.2	140	105	1.83	30 x 25	LKS2A152MR025***
	1800	0.2	120	85	2.12	25 x 40	LKS2A182MQ040***
		0.2	120	85	2.10	30 x 30	LKS2A182MR030***
	2200	0.2	100	70	2.23	25 x 45	LKS2A222MQ045***
		0.2	100	70	2.32	30 x 35	LKS2A222MR035***
		0.2	100	70	2.51	35 x 30	LKS2A222MS030***
	2700	0.2	80	55	2.62	25 x 50	LKS2A272MQ050***
		0.2	80	55	2.70	30 x 40	LKS2A272MR040***
	3300	0.2	70	47	3.10	30 x 45	LKS2A332MR045***
		0.2	70	47	3.05	35 x 35	LKS2A332MS035***
	3900	0.2	60	40	3.44	30 x 50	LKS2A392MR050***
		0.2	60	40	3.42	35 x 40	LKS2A392MS040***
	4700	0.2	50	34	4.03	30 x 65	LKS2A472MR065***
		0.2	50	34	4.03	35 x 50	LKS2A472MS050***
	5600	0.2	45	32	4.60	30 x 75	LKS2A562MR075***
		0.2	45	32	4.60	35 x 55	LKS2A562MS055***
	6800	0.2	42	29	5.10	30 x 90	LKS2A682MR090***
		0.2	42	29	5.10	35 x 65	LKS2A682MS065***
	8200	0.2	39	26	6.10	30 x 100	LKS2A822MR100***
		0.2	39	26	6.10	35 x 75	LKS2A822MS075***
	10000	0.2	36	23	6.80	35 x 90	LKS2A103MS090***
		0.2	36	23	6.80	40 x 70	LKS2A103MB070***
12000	0.2	33	19	7.90	35 x 110	LKS2A123MS110***	
	0.2	33	19	7.90	40 x 80	LKS2A123MB080***	
15000	0.2	30	16	8.80	40 x 100	LKS2A153MB100***	
	0.2	30	16	8.80	45 x 90	LKS2A153MV090***	
200 2D (250)	220	0.15	580	500	1.10	22 x 25	LKS2D221MP025***
	270	0.15	490	400	1.21	22 x 30	LKS2D271MP030***
	330	0.15	400	330	1.41	22 x 30	LKS2D331MP030***
		0.15	400	330	1.40	25 x 25	LKS2D331MQ025***
	390	0.15	330	280	1.61	22 x 35	LKS2D391MP035***
		0.15	330	280	1.61	25 x 30	LKS2D391MQ030***
	470	0.15	280	260	1.51	22 x 35	LKS2D471MP035***
		0.15	280	260	1.81	22 x 40	LKS2D471MP040***
		0.15	280	230	1.81	25 x 30	LKS2D471MQ030***
	560	0.15	280	230	1.81	30 x 25	LKS2D471MR025***
		0.15	235	200	2.03	22 x 45	LKS2D561MP045***
		0.15	235	200	2.10	30 x 30	LKS2D561MR030***
		0.15	235	200	2.30	30 x 40	LKS2D561MR040***
	680	0.15	235	200	2.02	35 x 25	LKS2D561MS025***
		0.15	195	160	2.11	22 x 50	LKS2D681MP050***
		0.15	195	160	2.31	25 x 40	LKS2D681MQ040***
	0.15	195	160	2.42	30 x 35	LKS2D681MR035***	

VV	CAP 25°C, 120Hz	DF 25°C, 120Hz	Max ESR 25°C, 120Hz	ESR (typ.) 25°C, 120Hz	Rated Ripple Current 85°C, 120Hz	Size ΦD×L	Code P/N
(VDC)	(μF)	-	(mΩ)	(mΩ)	(Arms)	(mm)	-
200 2D (250)	820	0.15	160	135	2.11	22 x 60	LKS2D821MP060***
		0.15	160	135	2.31	25 x 40	LKS2D821MQ040***
		0.15	160	135	2.41	30 x 30	LKS2D821MR030***
		0.15	160	135	2.53	35 x 30	LKS2D821MS030***
	1000	0.15	130	110	2.83	22 x 80	LKS2D102MP080***
		0.15	130	110	2.83	25 x 60	LKS2D102MQ060***
		0.15	130	110	2.83	30 x 45	LKS2D102MR045***
		0.15	155	130	2.83	35 x 35	LKS2D102MS035***
	1200	0.15	120	90	3.42	30 x 50	LKS2D122MR050***
		0.15	120	90	3.20	35 x 40	LKS2D122MS040***
	1500	0.15	105	80	3.80	25 x 80	LKS2D152MQ080***
		0.15	105	80	3.60	30 x 50	LKS2D152MR050***
		0.15	110	80	3.70	35 x 40	LKS2D152MS040***
	1800	0.15	96	80	4.22	30 x 60	LKS2D182MR060***
		0.15	96	80	4.12	35 x 50	LKS2D182MS050***
	2200	0.15	88	71	4.62	30 x 75	LKS2D222MR075***
		0.15	88	71	4.52	35 x 55	LKS2D222MS055***
	2700	0.15	80	63	5.21	30 x 85	LKS2D272MR085***
		0.15	80	63	5.11	35 x 65	LKS2D272MS065***
	3300	0.15	71	55	6.25	30 x 105	LKS2D332MR105***
		0.15	71	55	6.16	35 x 75	LKS2D332MS075***
	3900	0.15	63	49	7.15	35 x 85	LKS2D392MS085***
		0.15	63	49	7.02	40 x 60	LKS2D392MB060***
	4700	0.15	55	40	7.68	35 x 105	LKS2D472MS105***
		0.15	55	40	7.53	40 x 70	LKS2D472MB070***
		0.15	49	33	8.24	40 x 90	LKS2D562MR090***
	5600	0.15	49	33	8.15	45 x 80	LKS2D562MV080***
		180	0.15	1110	890	0.94	22 x 25
	220		0.15	910	730	1.12	22 x 30
		0.15	910	730	1.13	25 x 25	LKS2E221MQ025***
270	0.15	750	600	1.23	22 x 35	LKS2E271MP035***	
	0.15	610	490	1.43	25 x 30	LKS2E271MQ030***	
	0.15	610	490	1.43	30 x 25	LKS2E271MR025***	
330	0.15	610	490	1.52	22 x 50	LKS2E331MP050***	
	0.15	610	490	1.52	25 x 30	LKS2E331MQ030***	
	0.15	610	490	1.53	30 x 25	LKS2E331MR025***	
390	0.15	520	410	1.62	22 x 60	LKS2E391MP060***	
	0.15	520	410	1.62	25 x 35	LKS2E391MQ035***	
	0.15	430	340	1.64	30 x 30	LKS2E391MR030***	
470	0.15	430	340	1.82	30 x 30	LKS2E471MR030***	
	0.15	430	340	2.42	35 x 25	LKS2E471MS025***	
	0.15	360	290	2.05	25 x 45	LKS2E561MQ045***	
560	0.15	360	290	2.05	30 x 35	LKS2E561MR035***	
	680	0.15	300	240	2.35	30 x 40	LKS2E681MR040***
0.15		300	240	2.63	35 x 30	LKS2E681MS030***	
820	0.15	250	200	2.61	25 x 60	LKS2E821MQ060***	
	0.15	250	200	2.60	30 x 45	LKS2E821MR045***	
	0.15	200	165	2.85	35 x 35	LKS2E821MS035***	
1000	0.15	200	165	3.02	30 x 50	LKS2E102MR050***	
	0.15	200	165	3.20	35 x 40	LKS2E102MS040***	

WV	CAP 25°C, 120Hz	DF 25°C, 120Hz	Max ESR 25°C, 120Hz	ESR (typ.) 25°C, 120Hz	Rated Ripple Current 85°C, 120Hz	Size ΦD×L	Code P/N
(VDC)	(μF)	-	(mΩ)	(mΩ)	(Arms)	(mm)	-
250 2E (300)	1200	0.15	170	149	3.43	30 x 55	LKS2E122MR055***
		0.15	170	149	3.43	35 x 40	LKS2E122MS040***
	1500	0.15	165	135	3.66	30 x 65	LKS2E152MR065***
		0.15	165	135	3.66	35 x 45	LKS2E152MS045***
	1800	0.15	160	131	3.91	30 x 75	LKS2E182MR075***
		0.15	160	131	3.91	35 x 55	LKS2E182MS055***
	2200	0.15	149	120	4.50	30 x 85	LKS2E222MR085***
		0.15	149	120	4.40	35 x 65	LKS2E222MS065***
	2700	0.15	135	112	5.20	30 x 105	LKS2E272MR105***
		0.15	135	112	5.10	35 x 75	LKS2E272MS075***
	3300	0.15	131	103	6.00	35 x 90	LKS2E332MS090***
		0.15	131	103	5.90	40 x 70	LKS2E332MR070***
	3900	0.15	120	95	6.70	40 x 80	LKS2E392MR080***
		0.15	120	95	6.60	45 x 70	LKS2E392MV070***
	4700	0.15	112	86	7.80	40 x 100	LKS2E472MR100***
		0.15	112	86	7.70	45 x 80	LKS2E472MV080***
315 2F (365)	100	0.15	2000	1600	0.67	22 x 25	LKS2F101MP025***
	120	0.15	2000	1600	0.74	22 x 25	LKS2F121MP025***
	150	0.15	1330	1100	0.86	22 x 30	LKS2F151MP030***
		0.15	1330	1100	0.85	25 x 25	LKS2F151MQ025***
	180	0.15	1110	890	0.97	22 x 35	LKS2F181MP035***
		0.15	1110	890	0.96	25 x 30	LKS2F181MQ030***
		0.15	910	730	1.14	30 x 25	LKS2F181MR025***
	220	0.15	910	730	1.11	25 x 35	LKS2F221MQ035***
		0.15	740	600	1.23	30 x 30	LKS2F221MR030***
	270	0.15	740	600	1.32	35 x 25	LKS2F221MS025***
		0.15	740	600	1.31	30 x 30	LKS2F221MR030***
	330	0.15	610	490	1.42	25 x 45	LKS2F331MQ045***
		0.15	610	490	1.41	30 x 35	LKS2F331MR035***
	390	0.15	520	410	1.62	30 x 40	LKS2F391MR040***
		0.15	520	410	1.60	35 x 30	LKS2F391MS030***
	470	0.15	430	345	1.81	30 x 45	LKS2F471MR045***
0.15		430	345	1.81	35 x 35	LKS2F471MS035***	
350 2V (400)	82	0.15	2450	1950	0.65	22 x 25	LKS2V820MP025***
	100	0.15	2000	1600	0.78	22 x 25	LKS2V101MP025***
	120	0.15	1670	1330	0.82	25 x 25	LKS2V121MQ025***
		0.15	1330	1070	0.96	22 x 35	LKS2V151MP035***
	150	0.15	1330	1070	0.95	25 x 30	LKS2V151MQ030***
		0.15	1110	890	1.12	25 x 35	LKS2V181MQ035***
	180	0.15	920	730	1.24	30 x 30	LKS2V181MR030***
		0.15	920	730	1.22	25 x 35	LKS2V221MQ035***
	220	0.15	745	595	1.44	30 x 30	LKS2V221MR030***
		0.15	745	595	1.43	30 x 35	LKS2V271MR035***
	270	0.15	610	485	1.65	35 x 30	LKS2V271MS030***
		0.15	610	485	1.63	30 x 40	LKS2V331MR040***
	330	0.15	515	410	1.55	35 x 30	LKS2V331MS030***
		0.15	515	410	1.74	30 x 40	LKS2V391MR040***
	390	0.15	515	410	1.80	35 x 35	LKS2V391MS035***
		0.15	430	340	2.05	30 x 45	LKS2V471MR045***
470	0.15	430	340	2.00	35 x 40	LKS2V471MS040***	
	0.15	360	290	2.31	35 x 45	LKS2V561MS045***	

WV	CAP 25°C, 120Hz	DF 25°C, 120Hz	Max ESR 25°C, 120Hz	ESR (typ.) 25°C, 120Hz	Rated Ripple Current 85°C, 120Hz	Size ΦD×L	Code P/N
(VDC)	(μF)	-	(mΩ)	(mΩ)	(Arms)	(mm)	-
350 2V (400)	680	0.15	360	290	2.62	35 x 50	LKS2V681MS050***
	820	0.15	280	200	2.82	35 x 60	LKS2V821MS060***
		0.15	250	180	3.02	30 x 70	LKS2V102MR070***
	1000	0.15	260	190	2.98	35 x 55	LKS2V102MS055***
		0.15	230	160	3.50	30 x 85	LKS2V122MR085***
	1200	0.15	240	170	3.40	35 x 65	LKS2V122MS065***
		0.15	210	150	4.10	30 x 90	LKS2V152MR090***
	1500	0.15	220	160	4.00	35 x 75	LKS2V152MS075***
		0.15	180	130	4.70	35 x 90	LKS2V182MS090***
	1800	0.15	190	140	4.60	40 x 70	LKS2V182MR070***
		0.15	160	120	5.40	35 x 110	LKS2V222MS110***
	2200	0.15	170	130	5.30	40 x 80	LKS2V222MR080***
		0.15	130	100	5.90	40 x 100	LKS2V272MR100***
	2700	0.15	140	110	5.80	45 x 70	LKS2V272MV070***
		68	0.15	2810	2320	0.55	22 x 25
	82	0.15	2430	1945	0.64	22 x 25	LKS2G820MP025***
100	0.15	1995	1590	0.71	22 x 30	LKS2G101MP030***	
	0.15	1995	1590	0.71	25 x 25	LKS2G101MQ025***	
120	0.15	1660	1330	0.80	22 x 35	LKS2G121MP035***	
	0.15	1330	1065	0.85	25 x 30	LKS2G121MQ030***	
150	0.15	1330	1065	0.91	30 x 25	LKS2G121MR025***	
	0.15	1330	1065	0.91	22 x 35	LKS2G151MP035***	
180	0.15	1330	1065	0.95	25 x 30	LKS2G151MQ030***	
	0.15	1110	890	1.01	30 x 25	LKS2G151MR025***	
220	0.15	1110	890	1.10	22 x 40	LKS2G181MP040***	
	0.15	1110	890	1.21	25 x 35	LKS2G181MQ035***	
270	0.15	910	730	1.00	30 x 30	LKS2G181MR030***	
	0.15	910	730	1.06	35 x 25	LKS2G181MS025***	
330	0.15	910	730	1.06	22 x 45	LKS2G221MP045***	
	0.15	910	730	1.22	22 x 50	LKS2G221MP050***	
390	0.15	910	730	1.22	25 x 40	LKS2G221MQ040***	
	0.15	740	600	1.32	30 x 35	LKS2G221MR035***	
470	0.15	740	600	1.32	35 x 30	LKS2G221MS030***	
	0.15	740	600	1.41	22 x 50	LKS2G271MP050***	
560	0.15	740	600	1.56	25 x 40	LKS2G271MQ040***	
	0.15	610	490	1.53	25 x 45	LKS2G271MR045***	
680	0.15	610	490	1.56	30 x 40	LKS2G271MR040***	
	0.15	610	490	1.56	35 x 35	LKS2G271MS035***	
820	0.15	610	490	1.62	25 x 45	LKS2G331MQ045***	
	0.15	610	490	1.62	25 x 50	LKS2G331MQ050***	
1000	0.15	610	490	1.70	30 x 40	LKS2G331MR040***	
	0.15	610	490	1.70	35 x 35	LKS2G331MS035***	
1200	0.15	515	415	1.81	22 x 65	LKS2G391MP065***	
	0.15	515	415	1.81	25 x 55	LKS2G391MQ055***	
1500	0.15	425	345	1.82	30 x 50	LKS2G391MR050***	
	0.15	425	345	1.82	35 x 30	LKS2G391MS030***	
1800	0.15	425	345	2.04	22 x 80	LKS2G471MP080***	
	0.15	425	345	2.12	25 x 60	LKS2G471MQ060***	
2200	0.15	425	345	2.40	30 x 40	LKS2G471MR040***	
	0.15	360	290	1.95	30 x 45	LKS2G471MR045***	
2700	0.15	360	290	2.00	35 x 35	LKS2G471MS035***	
	0.15	360	290	2.00	35 x 40	LKS2G471MS040***	

WV	CAP 25°C, 120Hz	DF 25°C, 120Hz	Max ESR 25°C, 120Hz	ESR (typ.) 25°C, 120Hz	Rated Ripple Current 85°C, 120Hz	Size ΦD×L	Code P/N
(VDC)	(μF)	-	(mΩ)	(mΩ)	(Arms)	(mm)	-
400 2G (450)	560	0.15	360	290	2.30	22 x 90	LKS2G561MP090***
		0.15	360	290	2.30	25 x 70	LKS2G561MQ070***
		0.15	360	290	2.10	30 x 60	LKS2G561MR060***
		0.15	360	290	2.20	35 x 45	LKS2G561MS045***
		0.15	350	270	2.30	35 x 50	LKS2G561MS050***
	680	0.15	350	270	2.55	25 x 80	LKS2G681MQ080***
		0.15	350	270	2.51	30 x 60	LKS2G681MR060***
		0.15	350	270	2.41	35 x 45	LKS2G681MS045***
	820	0.15	342	260	2.45	35 x 50	LKS2G681MS050***
		0.15	342	260	2.90	25 x 90	LKS2G821MQ090***
		0.15	342	260	2.85	30 x 70	LKS2G821MR070***
		0.15	342	260	2.60	35 x 50	LKS2G821MS050***
0.15		342	260	2.70	35 x 55	LKS2G821MS055***	
1000	0.15	300	250	2.80	35 x 60	LKS2G821MS060***	
	0.15	300	250	2.80	35 x 65	LKS2G821MS065***	
	0.15	200	117	3.60	30 x 100	LKS2G102MR100***	
	0.15	200	117	3.60	30 x 80	LKS2G102MR080***	
	0.15	200	117	3.60	40 x 50	LKS2G102MR050***	
	0.15	200	117	3.60	35 x 55	LKS2G102MS055***	
	0.15	200	117	3.60	35 x 60	LKS2G102MS060***	
	0.15	200	117	3.60	35 x 65	LKS2G102MS065***	
	0.15	200	117	3.60	35 x 70	LKS2G102MS070***	
	0.15	200	117	3.60	40 x 50	LKS2G102MS050***	
400 2G (450)	1200	0.15	200	117	3.60	45 x 50	LKS2G102MV050***
		0.15	180	105	4.10	35 x 90	LKS2G122MS090***
		0.15	180	105	4.10	35 x 63	LKS2G122MS063***
		0.15	180	105	4.10	35 x 65	LKS2G122MS065***
		0.15	180	105	4.10	35 x 70	LKS2G122MS070***
		0.15	180	105	4.10	35 x 80	LKS2G122MS080***
		0.15	180	105	4.10	35 x 85	LKS2G122MS085***
		0.15	180	105	4.10	40 x 60	LKS2G122MR060***
		0.15	180	105	4.10	40 x 65	LKS2G122MR065***
		0.15	180	105	4.10	40 x 70	LKS2G122MR070***
	1500	0.15	180	105	4.10	40 x 80	LKS2G122MR080***
		0.15	180	105	4.10	45 x 70	LKS2G122MV070***
0.15		160	100	4.50	40 x 65	LKS2G152MR065***	
0.15		160	100	4.50	35 x 90	LKS2G152MS090***	
0.15		160	100	4.50	35 x 80	LKS2G152MS080***	
0.15		160	100	4.50	35 x 85	LKS2G152MS085***	
0.15		160	100	4.50	35 x 100	LKS2G152MS100***	
0.15		160	100	4.50	40 x 80	LKS2G152MR080***	
1800	0.15	160	100	4.50	45 x 70	LKS2G152MV070***	
	0.15	160	100	4.50	45 x 75	LKS2G152MV075***	
	0.15	140	90	5.30	35 x 88	LKS2G182MS088***	
	0.15	140	90	5.30	35 x 90	LKS2G182MS090***	
	0.15	140	90	5.30	35 x 95	LKS2G182MS095***	
	0.15	140	90	5.30	35 x 100	LKS2G182MS100***	
	0.15	140	90	5.30	40 x 80	LKS2G182MR080***	
	0.15	140	90	5.30	40 x 85	LKS2G182MR085***	
	0.15	140	90	5.30	40 x 90	LKS2G182MR090***	
	0.15	140	90	5.30	40 x 100	LKS2G182MR100***	
0.15	140	90	5.30	45 x 90	LKS2G182MV090***		

WV	CAP 25°C, 120Hz	DF 25°C, 120Hz	Max ESR 25°C, 120Hz	ESR (typ.) 25°C, 120Hz	Rated Ripple Current 85°C, 120Hz	Size ΦD×L	Code P/N
(VDC)	(μF)	-	(mΩ)	(mΩ)	(Arms)	(mm)	-
400 2G (450)	2200	0.15	120	85	6.30	35 x 100	LKS2G222MS100***
		0.15	120	85	6.30	35 x 110	LKS2G222MV110***
		0.15	120	85	6.30	40 x 80	LKS2G222MR080***
		0.15	120	85	6.30	40 x 85	LKS2G222MR085***
		0.15	120	85	6.30	40 x 90	LKS2G222MR090***
		0.15	120	85	6.30	40 x 100	LKS2G222MR100***
		0.15	110	80	6.80	40 x 90	LKS2G252MR090***
		0.15	110	80	6.80	45 x 80	LKS2G252MR080***
		0.15	100	70	7.10	45 x 90	LKS2G272MR090***
		0.15	100	70	7.10	45 x 100	LKS2G272MR100***
	2500	0.15	90	60	7.40	45 x 100	LKS2G332MR100***
		0.15	90	60	7.40	45 x 110	LKS2G332MR110***
450 2W (500)	68	0.15	2930	2345	0.57	22 x 30	LKS2W680MP030***
		0.15	2430	1945	0.70	25 x 35	LKS2W820MP035***
	100	0.15	1995	1600	0.72	22 x 35	LKS2W101MP035***
		0.15	1995	1600	0.73	25 x 30	LKS2W101MQ030***
	120	0.15	1660	1330	0.80	22 x 40	LKS2W121MP040***
		0.15	1660	1330	0.84	25 x 35	LKS2W121MQ035***
		0.15	1330	1070	0.89	25 x 35	LKS2W121MQ035***
		0.15	1330	1070	0.95	30 x 30	LKS2W121MR030***
	150	0.15	1330	1070	0.89	22 x 45	LKS2W151MP045***
		0.15	1330	1070	0.95	25 x 40	LKS2W151MQ040***
		0.15	1330	1070	0.99	30 x 35	LKS2W151MR035***
		0.15	1110	895	1.10	35 x 30	LKS2W151MS030***
180	0.15	1110	895	1.11	22 x 50	LKS2W181MP050***	
	0.15	1110	895	1.23	25 x 45	LKS2W181MQ045***	
	0.15	915	730	1.10	30 x 40	LKS2W181MR040***	
	0.15	915	730	1.20	35 x 30	LKS2W181MS030***	
220	0.15	915	730	1.32	22 x 60	LKS2W221MP060***	
	0.15	915	730	1.20	25 x 50	LKS2W221MQ050***	
270	0.15	915	730	1.32	30 x 40	LKS2W221MR040***	
	0.15	740	590	1.40	22 x 70	LKS2W271MP070***	
	0.15	740	590	1.50	25 x 50	LKS2W271MQ050***	
	0.15	610	490	1.55	30 x 40	LKS2W271MR040***	
330	0.15	610	490	1.71	22 x 70	LKS2W331MP070***	
	0.15	610	490	1.71	25 x 50	LKS2W331MQ050***	
	0.15	610	490	1.55	30 x 40	LKS2W331MR040***	
	0.15	520	415	1.65	35 x 35	LKS2W331MS035***	
390	0.15	520	415	1.65	25 x 60	LKS2W391MQ060***	
	0.15	520	415	1.65	30 x 45	LKS2W391MR045***	
470	0.15	520	415	1.90	35 x 40	LKS2W391MS040***	
	0.15	430	342	1.93	25 x 70	LKS2W471MQ070***	
	0.15	430	342	2.21	30 x 50	LKS2W471MR050***	
	0.15	360	320	1.99	35 x 45	LKS2W471MS045***	
560	0.15	360	320	2.25	25 x 75	LKS2W561MQ075***	
	0.15	360	320	2.25	30 x 60	LKS2W561MR060***	
	0.15	320	260	2.36	35 x 50	LKS2W561MS050***	
680	0.15	280	240	2.70	25 x 90	LKS2W681MQ090***	
	0.15	280	240	2.70	30 x 65	LKS2W681MR065***	
	0.15	290	230	2.80	35 x 55	LKS2W681MS055***	
820	0.15	260	210	3.20	30 x 80	LKS2W821MR080***	
	0.15	270	200	3.10	35 x 60	LKS2W821MS060***	

WV	CAP 25°C, 120Hz	DF 25°C, 120Hz	Max ESR 25°C, 120Hz	ESR (typ.) 25°C, 120Hz	Rated Ripple Current 85°C, 120Hz	Size ΦD×L	Code P/N	
(VDC)	(μF)	-	(mΩ)	(mΩ)	(Arms)	(mm)	-	
450 2W (500)	1000	0.15	240	180	4.00	30 x 100	LKS2W102MR100***	
		0.15	250	170	3.90	35 x 65	LKS2W102MS065***	
	1200	0.15	220	150	4.30	35 x 90	LKS2W122MS090***	
		0.15	230	140	4.20	40 x 70	LKS2W122MB070***	
	1500	0.15	190	120	4.60	35 x 90	LKS2W152MS090***	
		0.15	200	110	4.50	40 x 70	LKS2W152MB070***	
	1800	0.15	170	90	5.10	35 x 110	LKS2W182MS110***	
		0.15	180	80	5.00	40 x 80	LKS2W182MB080***	
	2200	0.15	150	70	5.50	40 x 100	LKS2W222MB100***	
		0.15	160	60	5.40	45 x 80	LKS2W222MV080***	
	500 2H (550)	100	0.15	1995	1600	0.91	25 x 30	LKS2H101MQ030***
			0.15	1995	1600	0.91	30 x 25	LKS2H101MR025***
120		0.15	1665	1330	1.00	30 x 30	LKS2H121MR030***	
		0.15	1665	1330	1.00	35 x 25	LKS2H121MS025***	
150		0.15	1330	1065	1.21	30 x 35	LKS2H151MR035***	
		0.15	1330	1065	1.21	35 x 30	LKS2H151MS030***	
180		0.15	1110	890	1.42	30 x 40	LKS2H181MR040***	
		0.15	1110	890	1.31	35 x 30	LKS2H181MS030***	
220		0.15	910	730	1.62	30 x 45	LKS2H221MR045***	
		0.15	910	730	1.51	35 x 35	LKS2H221MS035***	
270		0.15	740	595	1.80	30 x 50	LKS2H271MR050***	
		0.15	740	595	1.71	35 x 40	LKS2H271MS040***	
330		0.15	610	485	2.10	30 x 55	LKS2H331MR055***	
		0.15	610	485	2.00	35 x 45	LKS2H331MS045***	
390		0.15	520	415	2.30	30 x 60	LKS2H391MR060***	
		0.15	520	415	2.20	35 x 50	LKS2H391MS050***	
470		0.15	460	370	2.50	30 x 70	LKS2H471MR070***	
		0.15	460	370	2.40	35 x 55	LKS2H471MS055***	
560		0.15	410	330	2.70	30 x 80	LKS2H561MR080***	
		0.15	410	330	2.60	35 x 60	LKS2H561MS060***	
680		0.15	360	280	3.00	30 x 100	LKS2H681MR100***	
		0.15	360	280	2.90	35 x 70	LKS2H681MS070***	
820		0.15	310	240	3.40	35 x 80	LKS2H821MS080***	
		0.15	310	240	3.30	40 x 65	LKS2H821MB065***	
1000		0.15	270	210	3.80	40 x 80	LKS2H102MB080***	
		0.15	270	210	3.70	45 x 60	LKS2H102MV060***	
1200		0.15	230	180	4.20	40 x 90	LKS2H122MB090***	
		0.15	230	180	4.10	45 x 70	LKS2H122MV070***	
550 2Y (600)		100	0.15	1330	1065	0.76	25 x 35	LKS2Y101MQ035***
			0.15	1330	1065	0.76	30 x 30	LKS2Y101MR030***
		120	0.15	1110	890	0.88	30 x 35	LKS2Y121MR035***
			0.15	1110	890	0.88	35 x 30	LKS2Y121MS030***
		150	0.15	910	730	1.00	30 x 40	LKS2Y151MR040***
			0.15	910	730	1.00	35 x 35	LKS2Y151MS035***
		180	0.15	740	595	1.10	30 x 45	LKS2Y181MR045***
			0.15	740	595	1.10	35 x 35	LKS2Y181MS035***
	220	0.15	610	485	1.30	30 x 50	LKS2Y221MR050***	
		0.15	610	485	1.30	35 x 40	LKS2Y221MS040***	

WV	CAP 25°C, 120Hz	DF 25°C, 120Hz	Max ESR 25°C, 120Hz	ESR (typ.) 25°C, 120Hz	Rated Ripple Current 85°C, 120Hz	Size ΦD×L	Code P/N	
(VDC)	(μF)	-	(mΩ)	(mΩ)	(Arms)	(mm)	-	
550 2Y (600)	270	0.15	520	415	1.50	30 x 55	LKS2Y271MR055***	
		0.15	520	415	1.50	35 x 45	LKS2Y271MS045***	
	330	0.15	460	370	1.80	30 x 60	LKS2Y331MR060***	
		0.15	460	370	1.80	35 x 50	LKS2Y331MS050***	
	390	0.15	410	330	2.00	30 x 70	LKS2Y391MR070***	
		0.15	410	330	2.00	35 x 55	LKS2Y391MS055***	
	470	0.15	360	280	2.30	30 x 80	LKS2Y471MR080***	
		0.15	360	280	2.30	35 x 60	LKS2Y471MS060***	
	560	0.15	310	240	2.60	30 x 90	LKS2Y561MR090***	
		0.15	310	240	2.60	35 x 70	LKS2Y561MS070***	
	680	0.15	270	210	3.00	30 x 110	LKS2Y681MR110***	
		0.15	270	210	2.90	35 x 80	LKS2Y681MS080***	
	820	0.15	230	180	3.30	35 x 110	LKS2Y821MS110***	
		0.15	230	180	3.20	40 x 80	LKS2Y821MB080***	
	1000	0.15	210	150	3.60	40 x 90	LKS2Y102MR090***	
		0.15	210	150	3.50	45 x 70	LKS2Y102MV070***	
	1200	0.15	180	120	4.10	40 x 100	LKS2Y122MB100***	
		0.15	180	120	4.00	45 x 80	LKS2Y122MV080***	
	600 2S (650)	82	0.15	1510	1210	0.64	25 x 40	LKS2S820MQ040***
			0.15	1510	1210	0.64	30 x 30	LKS2S820MR030***
		100	0.15	1260	980	0.76	25 x 50	LKS2S101MQ050***
			0.15	1260	980	0.76	30 x 35	LKS2S101MR035***
		120	0.15	1080	850	0.88	30 x 40	LKS2S121MR040***
			0.15	1080	850	0.88	35 x 35	LKS2S121MS035***
150		0.15	890	690	1.00	30 x 45	LKS2S151MR045***	
		0.15	890	690	1.00	35 x 40	LKS2S151MS040***	
180		0.15	720	580	1.10	30 x 50	LKS2S181MR050***	
		0.15	720	580	1.10	35 x 40	LKS2S181MS040***	
220		0.15	580	460	1.30	30 x 55	LKS2S221MR055***	
		0.15	580	460	1.30	35 x 45	LKS2S221MS045***	
270	0.15	510	410	1.40	30 x 60	LKS2S271MR060***		
	0.15	510	410	1.40	35 x 50	LKS2S271MS050***		
330	0.15	450	310	1.70	30 x 70	LKS2S331MR070***		
	0.15	450	310	1.70	35 x 55	LKS2S331MS055***		
390	0.15	400	290	1.90	30 x 80	LKS2S391MR080***		
	0.15	400	290	1.90	35 x 60	LKS2S391MS060***		
470	0.15	350	260	2.20	30 x 90	LKS2S471MR090***		
	0.15	350	260	2.20	35 x 65	LKS2S471MS065***		
560	0.15	300	230	2.50	30 x 100	LKS2S561MR100***		
	0.15	300	230	2.50	35 x 70	LKS2S561MS070***		
680	0.15	260	200	2.90	30 x 110	LKS2S681MR110***		
	0.15	260	200	2.80	35 x 80	LKS2S681MS080***		
820	0.15	220	170	3.20	35 x 110	LKS2S821MS110***		
	0.15	220	170	3.10	40 x 90	LKS2S821MB090***		
1000	0.15	200	140	3.50	40 x 100	LKS2S102MB100***		
	0.15	200	140	3.40	45 x 80	LKS2S102MV080***		
1200	0.15	170	110	3.80	40 x 110	LKS2S122MB110***		
	0.15	170	110	3.60	45 x 90	LKS2S122MV090***		

**** Indicates terminal type, length, and sleeve color.

If you need to know more about product specifications, sizes and other relevant data, if not fully listed, you can contact through phone, wechat and other tools to understand

The content recorded in the catalog book may be changed without notification. Your company is requested to require us to provide specifications when purchasing and using, and use it as the standard.